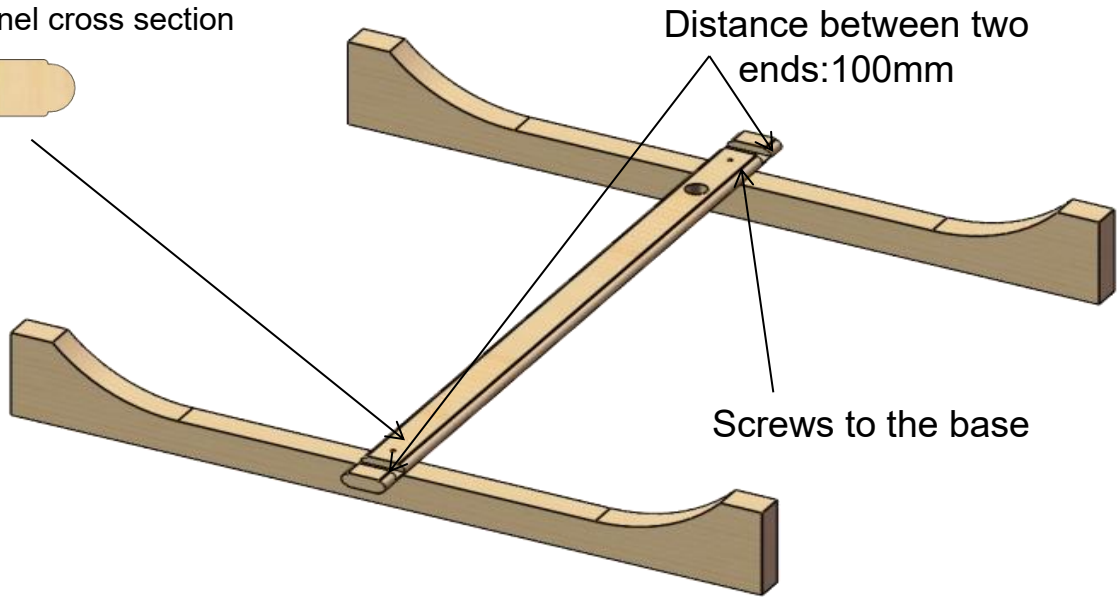


# Square Barrel Sauna Room with Infrared System



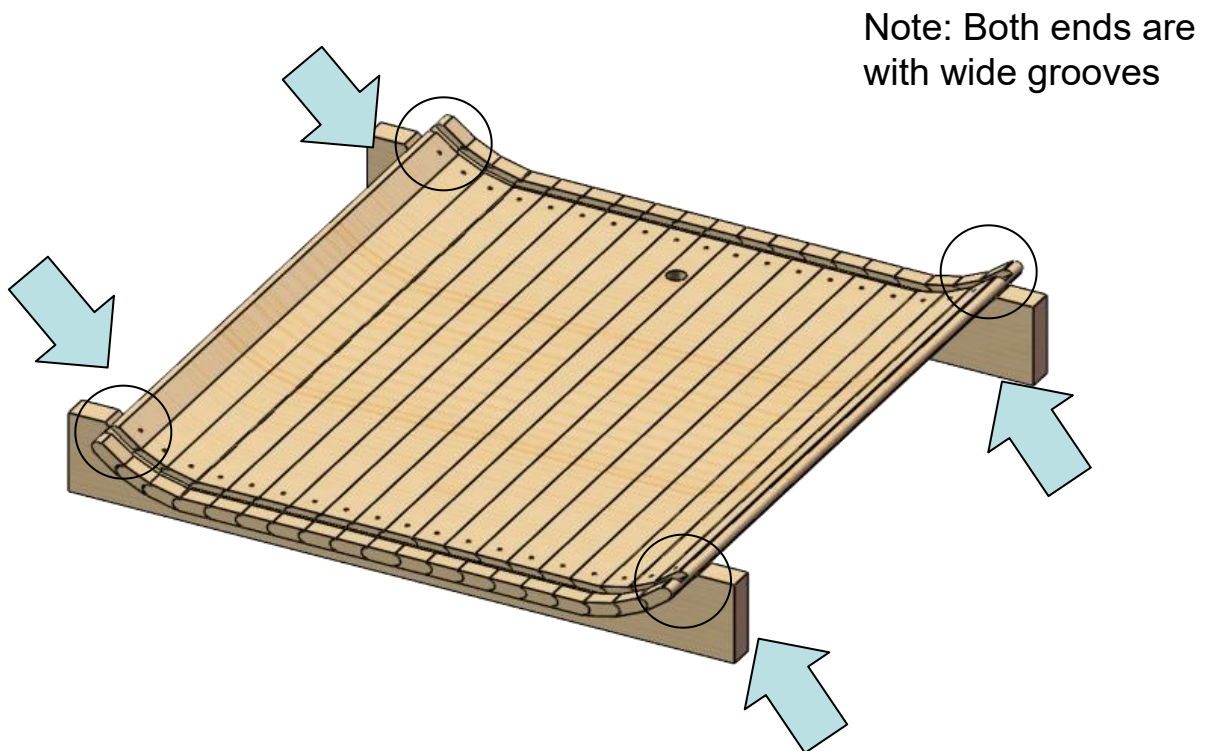
# 1

Wall panel cross section



**1. Placed the bases in alignment, and then strengthen the wall panel in the center of the base. 100mm distance between the two ends of the wall panel to the bases**

# 2

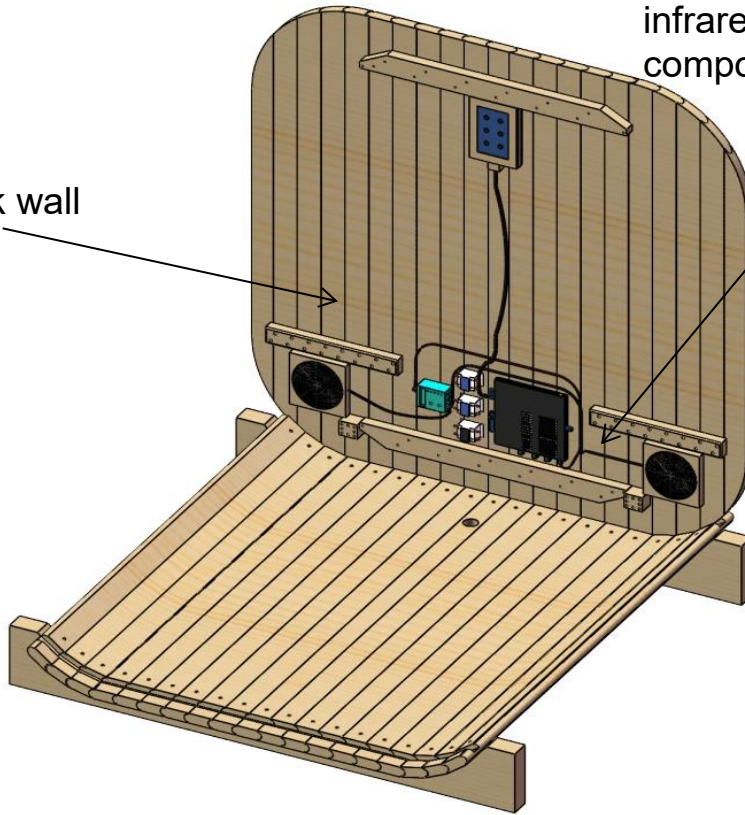


**2. After pressing the panels, screw nails to the position of the black circles to strengthen base**

3

Back wall

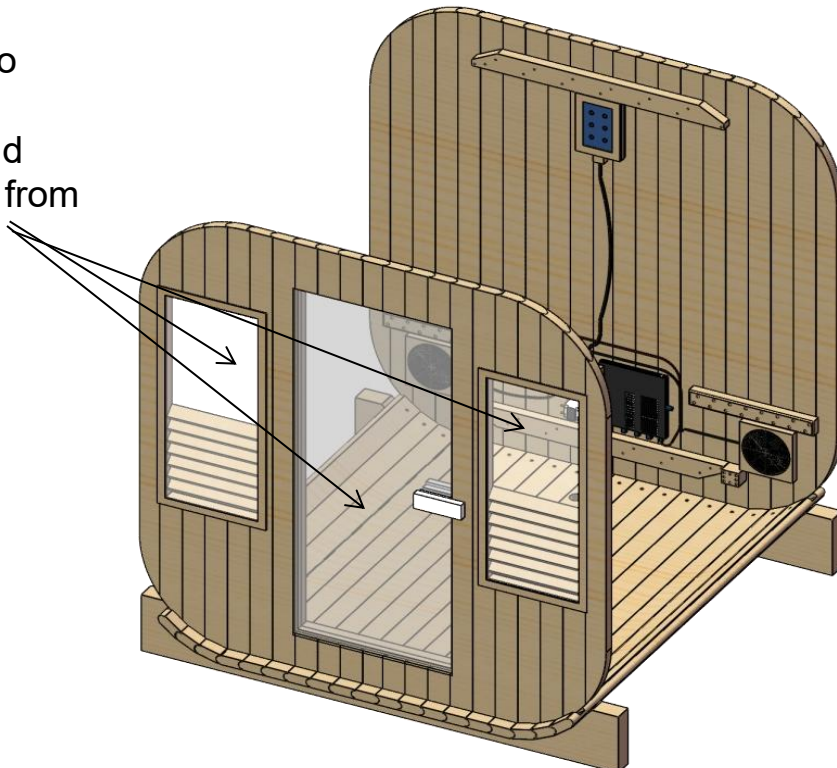
Be careful to protect the infrared electrical components from damage



**3. Insert the back wall into the groove**

4

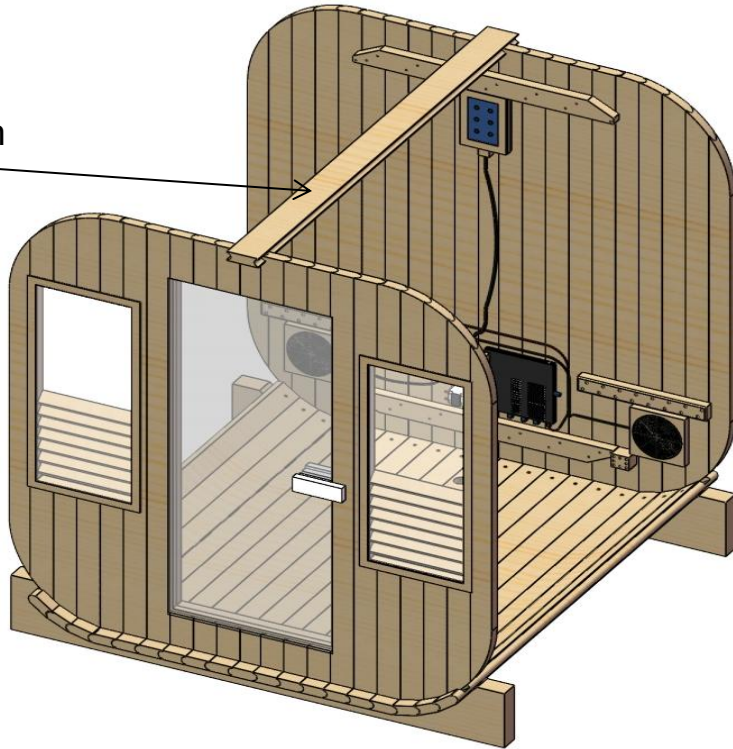
Be careful to protect the windows and sauna door from damage



**4. Insert the front wall into the groove**

5

Intermediate wall panel cross section



**5. Find the intermediate wall panel with two sides grooves, put it on the top of two wall panels for fixing.**

6



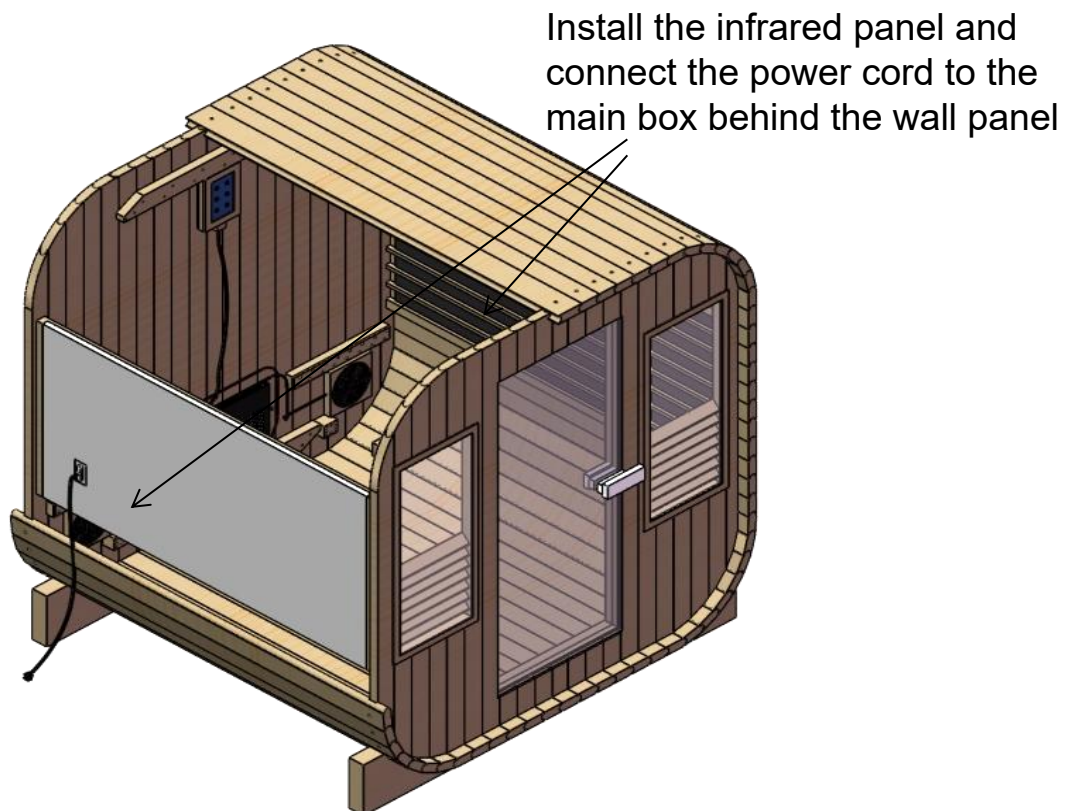
**6. Fix the wall panels to the side wall by nails till they are not easy to fall off**

7



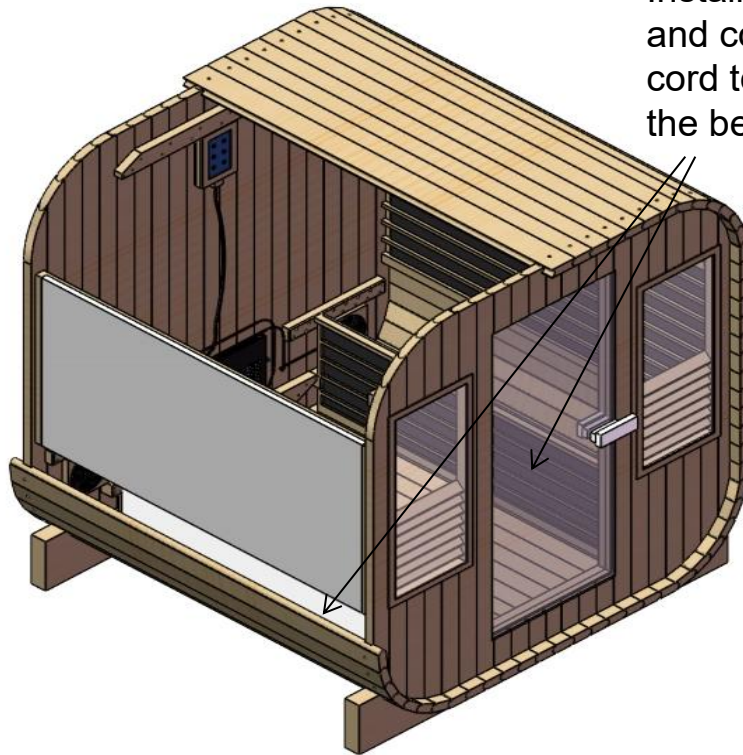
**7. Install the stainless steel bands and tighten them with a wrench, and eliminate the gap between the wall panels by tightening the bands**

8



**8. Install the infrared panels on the left and right sides to the wall**

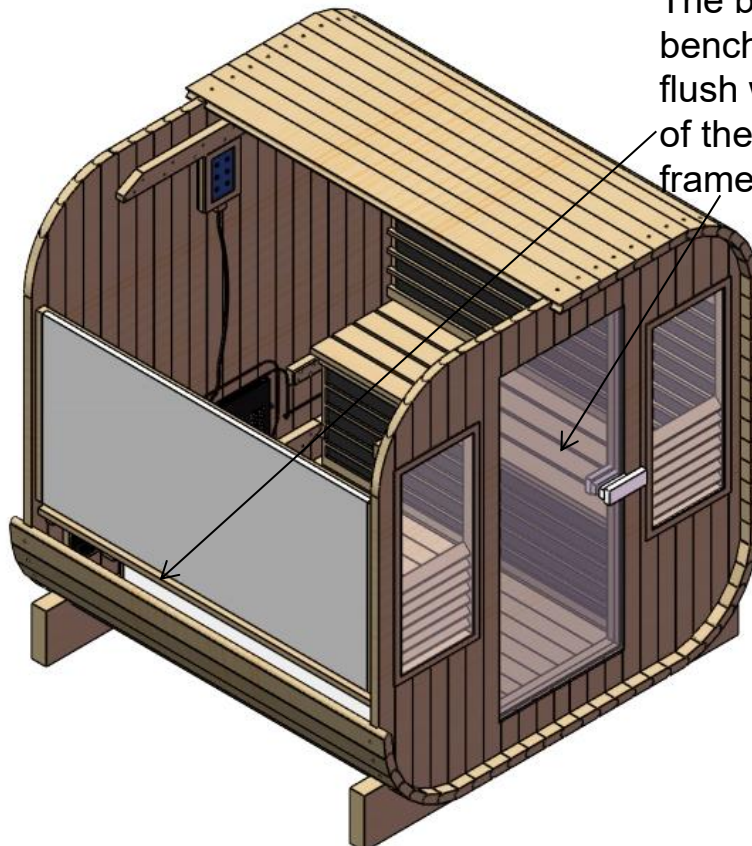
9



Install the infrared panel and connect the power cord to the main box under the benches panel

**9. Install the infrared panels on the left and right sides under the benches**

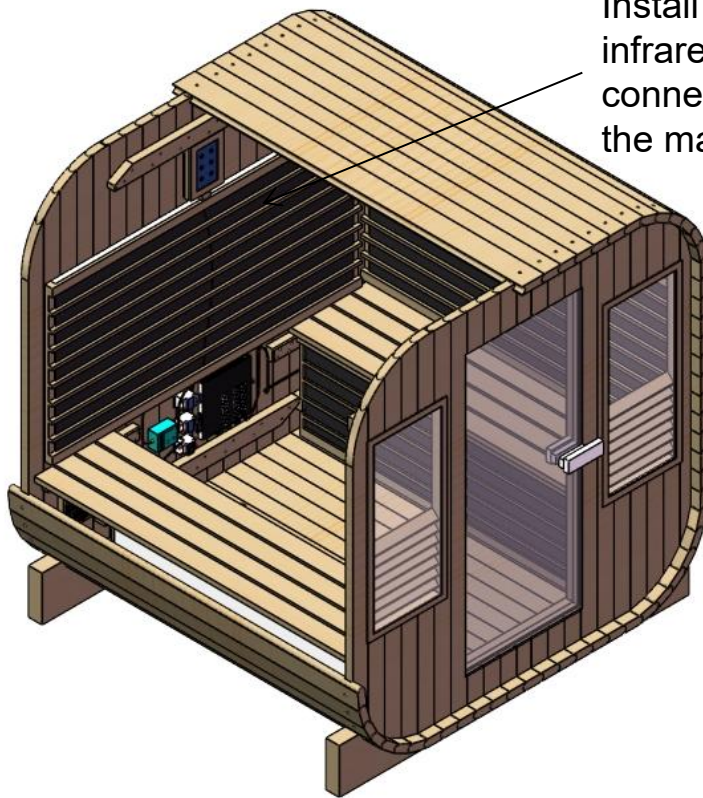
10



The bottom of the bench panel should be flush with the upper part of the infrared panel frame below

**10. Install the benches on the supports of front and back wall**

11



Install the back wall infrared panel and connect the power cord to the main box behind it

11. Install the infrared panel to the back wall

12

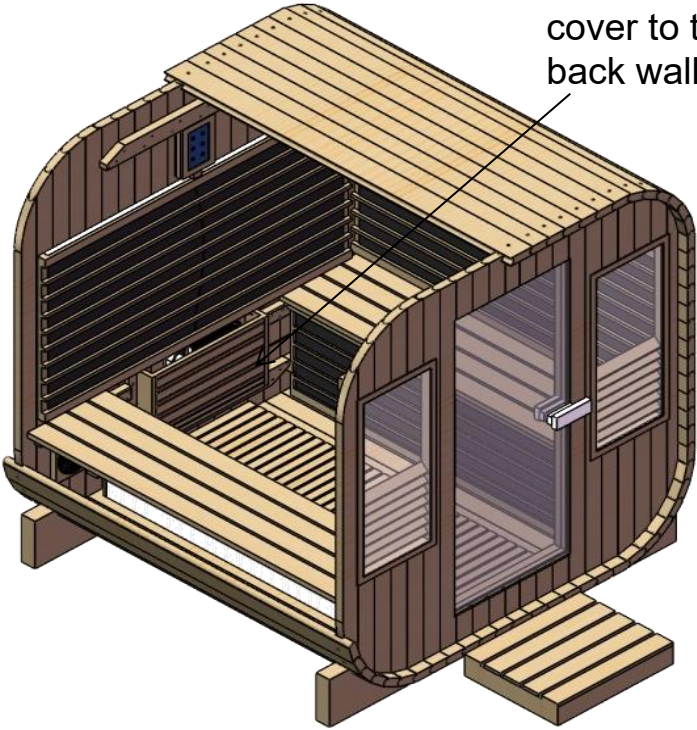


Install the floor infrared panel and connect the power cord to the main box at the bottom

12. Install the floor infrared panel to the bottom

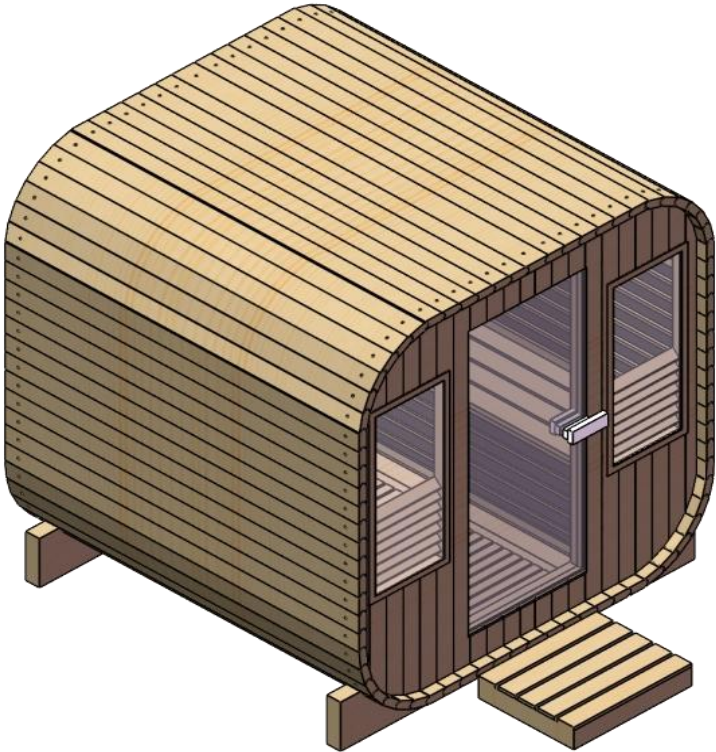
13

Screw the nails to the cover to tighten it to the back wall



13. Install the protection cover of the electrical component

14



14. Place the outside step